

4

3

2

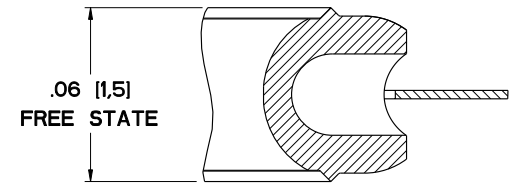
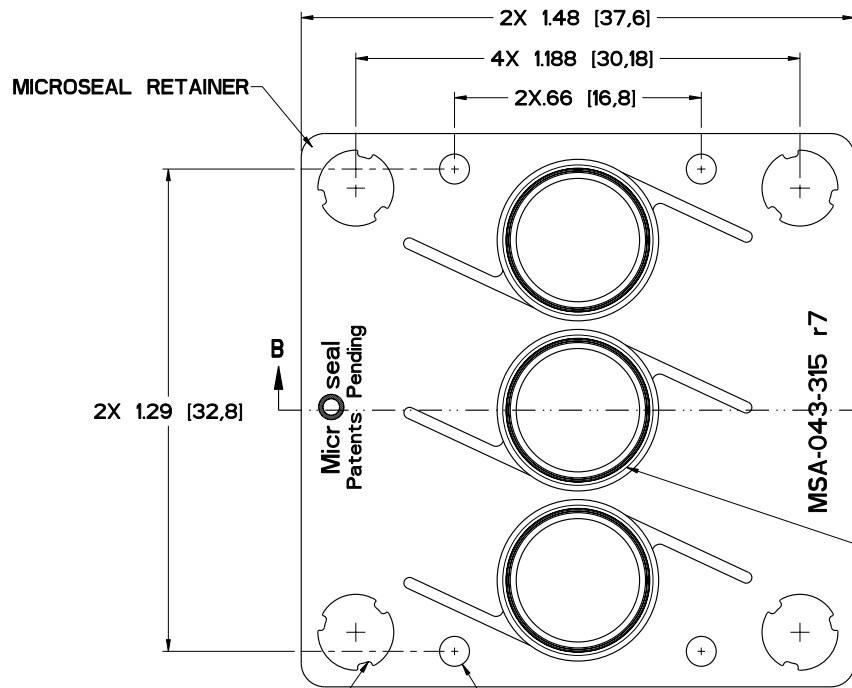
1

MICROFLEX TECHNOLOGIES PROPRIETARY INFORMATION  
 THIS DRAWING IS THE EXCLUSIVE PROPERTY OF MICROFLEX TECHNOLOGIES AND EMBODIES A CONFIDENTIAL DESIGN. IT HAS BEEN FORWARDED TO YOU IN STRICT CONFIDENCE FOR A SPECIFIC PURPOSE AND AS A RECIPIENT YOU AGREE NOT TO USE, DISCLOSE, REPRODUCE OR COPY IT IN WHOLE OR IN PART WITHOUT THE EXPRESS WRITTEN CONSENT OF MICROFLEX TECHNOLOGIES AND TO IMMEDIATELY RETURN THE DRAWING UPON REQUEST.

REVISIONS						
REV.	DESCRIPTION	EO#	DATE	ENG.	OLTY.	MFG.
7	UPDATE VIEW PER SEAL RETAINER ECO NUMBER	M0277	02-12-02	MD		

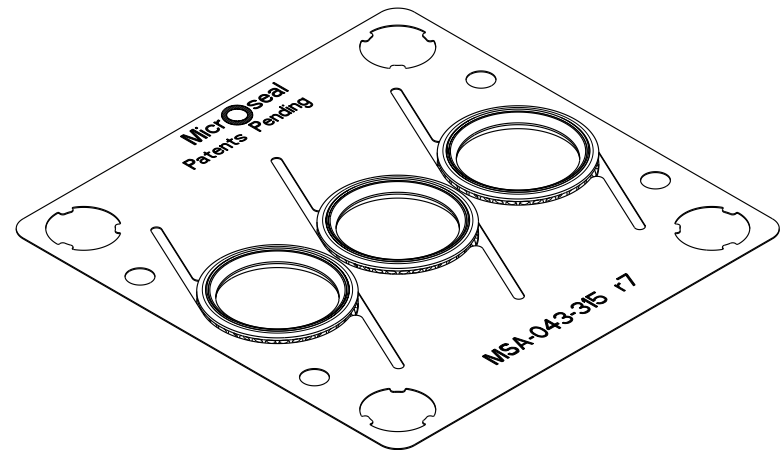
D  
C  
B  
A

D  
C  
B  
A



4X CLEARANCE HOLE WITH RETAINING TABS FOR M5 FASTENER

4X Ø.08 [2] LEAK TEST HOLE



NOTES: UNLESS OTHERWISE SPECIFIED.

- DUAL DIMENSIONING: INCH [MILLIMETER].
- PACKAGING: TRIPLE BAG.

FILE NAME: MSA-043-315_REV7	UNLESS OTHERWISE SPECIFIED DIMENSIONS ARE IN INCHES	 10001 Timothy Lane, Villa Park, CA 92661	
MODEL NAME: MSA-043-315	DECIMALS DECIMALS ANGLES XX ±0.13 XXX ±0.001 ±0.5°	MICROSEAL ASSEMBLY, SERIES 60 SURFACE MOUNT, HI-FLOW COMPONENT 3 PORT, 1-1/2"W	
USED ON: FLUID DELIVERY SYSTEMS	BREAK SHARP EDGES N/A	DRAWN: Michael Doyle 03-10-01 ENGINEERING: Michael Doyle 03-10-01 QUALITY:	SIZE: C SCALE: 4:1 DRAWING NO.: MSA-043-315 REV.: 7
MATERIAL: N/A	MANUFACTURING:	DO NOT SCALE DRAWING SHEET 1 OF 1	
INTERPRET DRAWING PER ANSI Y 14.5M - 1982			

4

3

2

1