

4

3

2

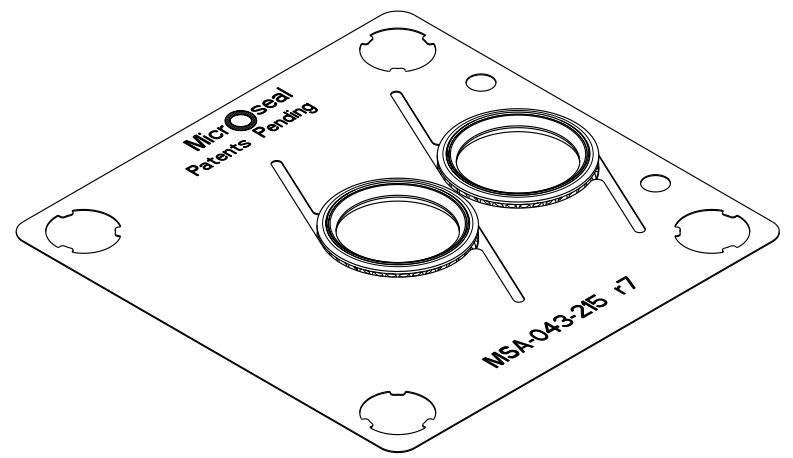
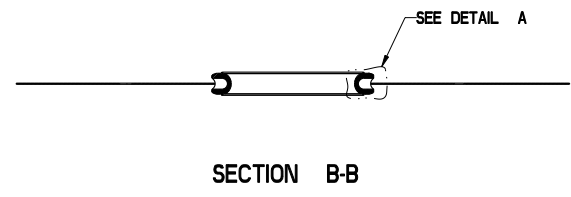
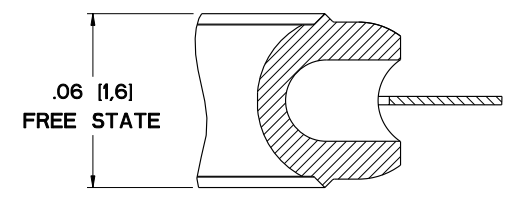
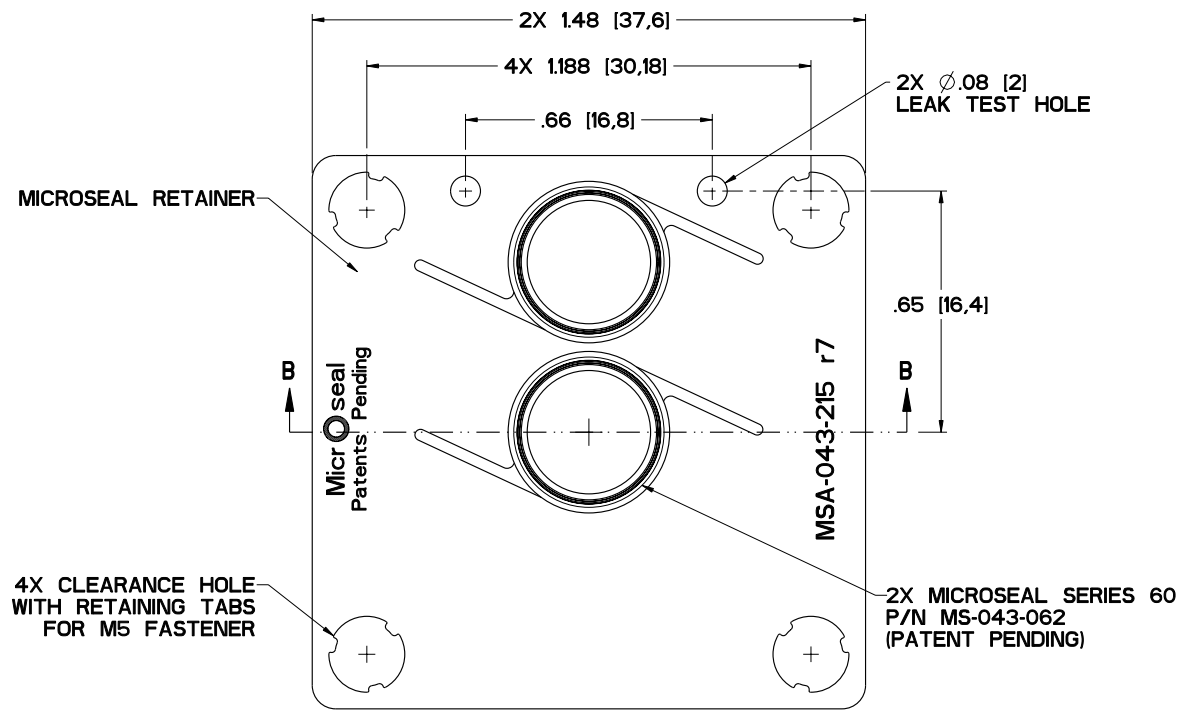
1

MICROFLEX TECHNOLOGIES PROPRIETARY INFORMATION  
 THIS DRAWING IS THE EXCLUSIVE PROPERTY OF MICROFLEX TECHNOLOGIES AND EMBODIES A CONFIDENTIAL DESIGN. IT HAS BEEN FORWARDED TO YOU IN STRICT CONFIDENCE FOR A SPECIFIC PURPOSE AND AS A RECIPIENT YOU AGREE NOT TO USE, DISCLOSE, REPRODUCE OR COPY IT IN WHOLE OR IN PART WITHOUT THE EXPRESS WRITTEN CONSENT OF MICROFLEX TECHNOLOGIES AND TO IMMEDIATELY RETURN THE DRAWING UPON REQUEST.

REVISIONS						
REV.	DESCRIPTION	EO#	DATE	ENG.	OLTY.	MFG.
7	UPDATE VIEW PER SEAL RETAINER ECO NUMBER	M0277	02-12-02	MD		

D  
C  
B  
A

D  
C  
B  
A



NOTES: UNLESS OTHERWISE SPECIFIED.  
 1. DUAL DIMENSIONING: INCH [MILLIMETER].  
 2. PACKAGING: TRIPLE BAG.

FILE NAME: MSA-043-215_REV7	UNLESS OTHERWISE SPECIFIED DIMENSIONS ARE IN INCHES		 10001 Timothy Lane, Villa Park, CA 92681		
MODEL NAME: MSA-043-215	DECIMALS XX $\pm$ 0.13	DECIMALS XXX $\pm$ 0.001	ANGLES $\pm$ 0.5°	MICROSEAL ASSEMBLY, SERIES 60 SURFACE MOUNT, HI-FLOW COMPONENT 2 PORT, 1-1/2"W	
USED ON: FLUID DELIVERY SYSTEMS	BREAK SHARP EDGES N/A	DATE 03-10-01	ENGINEERING: Michael Doyle	SCALE 4:1	REV. 7
MATERIAL: N/A	MANUFACTURING:	DATE 03-10-01	QUALITY:	DRAWING NO. MSA-043-215	
INTERPRET DRAWING PER ANSI Y 14.5M - 1982				DO NOT SCALE DRAWING SHEET 1 OF 1	

4

3

2

1