

4

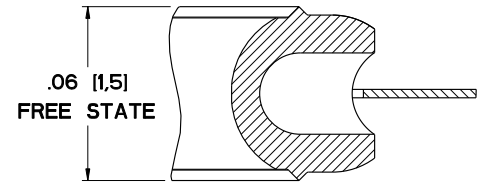
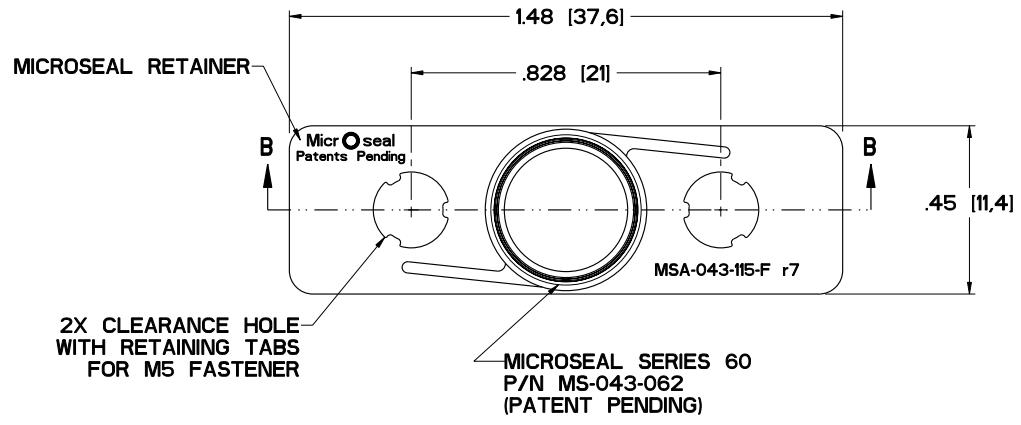
3

2

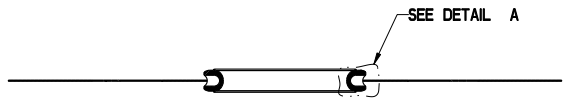
1

MICROFLEX TECHNOLOGIES PROPRIETARY INFORMATION
 THIS DRAWING IS THE EXCLUSIVE PROPERTY OF MICROFLEX TECHNOLOGIES AND EMBODIES A CONFIDENTIAL DESIGN. IT HAS BEEN FORWARDED TO YOU IN STRICT CONFIDENCE FOR A SPECIFIC PURPOSE AND AS A RECIPIENT YOU AGREE NOT TO USE, DISCLOSE, REPRODUCE OR COPY IT IN WHOLE OR IN PART WITHOUT THE EXPRESS WRITTEN CONSENT OF MICROFLEX TECHNOLOGIES AND TO IMMEDIATELY RETURN THE DRAWING UPON REQUEST.

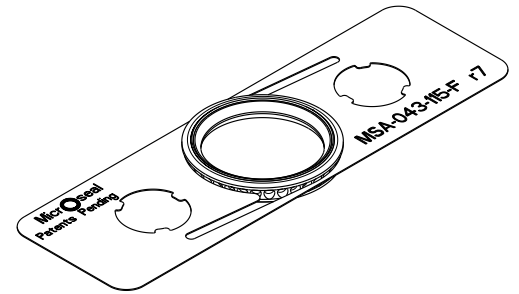
REVISIONS						
REV.	DESCRIPTION	EO#	DATE	ENG.	OLTY.	MFG.
7	UPDATE VIEW PER SEAL RETAINER ECO NUMBER	M02077	02-12-02	MD		



DETAIL A



SECTION B-B



- NOTES: UNLESS OTHERWISE SPECIFIED.
- DUAL DIMENSIONING: INCH [MILLIMETER].
 - PACKAGING: TRIPLE BAG.

FILE NAME: MSA-043-115-F-REV7	UNLESS OTHERWISE SPECIFIED DIMENSIONS ARE IN INCHES	 10001 Timothy Lane, Villa Park, CA 92661			
MODEL NAME: MSA-043-115-F	DECIMALS DECIMALS ANGLES .XX ±0.13 .XXX ±0.001 ±0.5°	MICROSEAL ASSEMBLY, SERIES 60 SURFACE MOUNT, HI-FLOW MODULAR FLANGE / MANIFOLD, 1-1/2"W			
USED ON: FLUID DELIVERY SYSTEMS	BREAK SHARP EDGES N/A	DRAWN: Michael Doyle	DATE: 03-10-01	SIZE C	SCALE 4:1
MATERIAL: N/A	QUALITY: N/A	ENGINEERING: Michael Doyle	DATE: 03-10-01	DRAWING NO. MSA-043-115-F	REV. 7
INTERPRET DRAWING PER ANSI Y 14.5M - 1982	MANUFACTURING:	DO NOT SCALE DRAWING SHEET 1 OF 1			

4

3

2

1

D

D

C

C

B

B

A

A