

4

3

2

1

MICROFLEX TECHNOLOGIES PROPRIETARY INFORMATION  
 THIS DRAWING IS THE EXCLUSIVE PROPERTY OF MICROFLEX TECHNOLOGIES AND EMBODIES A CONFIDENTIAL DESIGN. IT HAS BEEN FORWARDED TO YOU IN STRICT CONFIDENCE FOR A SPECIFIC PURPOSE AND AS A RECIPIENT YOU AGREE NOT TO USE, DISCLOSE, REPRODUCE OR COPY IT IN WHOLE OR IN PART WITHOUT THE EXPRESS WRITTEN CONSENT OF MICROFLEX TECHNOLOGIES AND TO IMMEDIATELY RETURN THE DRAWING UPON REQUEST.

| REVISIONS |  |        |          |      |       |      |
|-----------|--|--------|----------|------|-------|------|
| REV.      | DESCRIPTION                              | EO#    | DATE     | ENG. | OLTY. | MFG. |
| 6         | UPDATE VIEW PER SEAL RETAINER ECO NUMBER | M01407 | 10-06-01 | MD   |       |      |

D

D

C

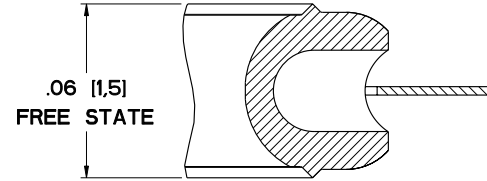
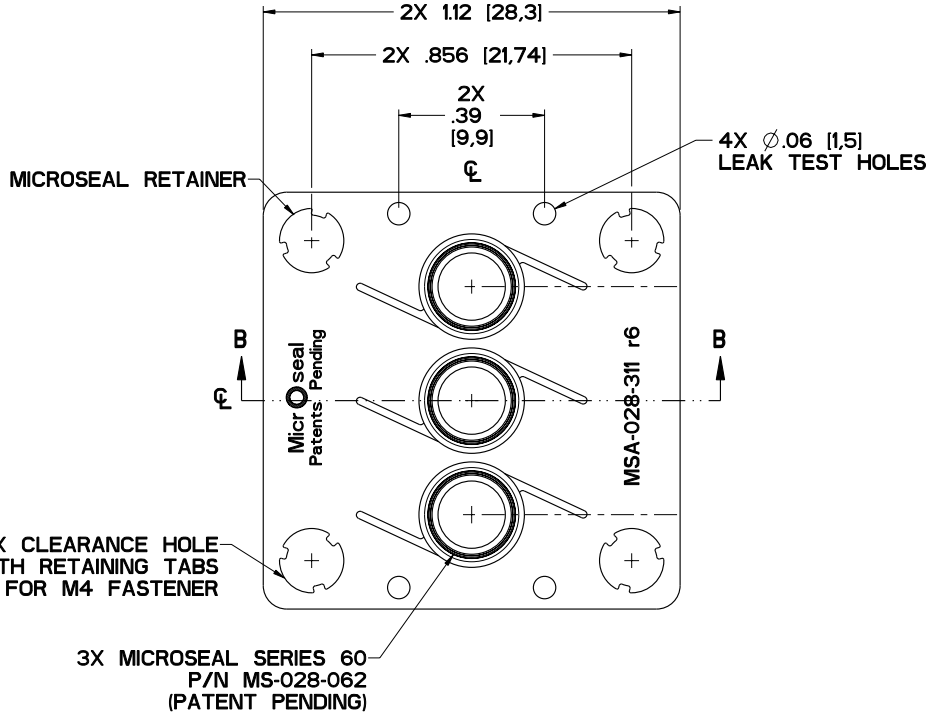
C

B

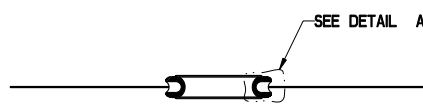
B

A

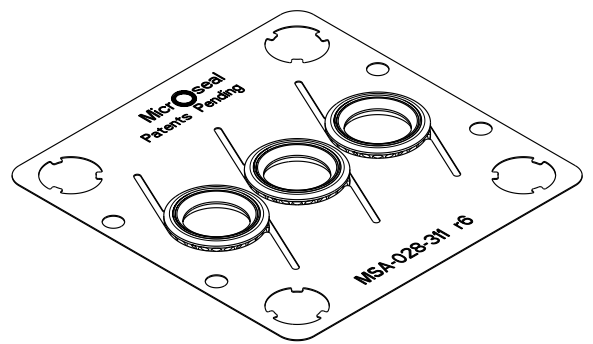
A



DETAIL A



SECTION B-B



NOTES: UNLESS OTHERWISE SPECIFIED.

- 1. DUAL DIMENSIONING: INCH [MILIMETER].
- 2. PACKAGING: TRIPLE BAG.

|   |   |   |                            |
|---|---|---|----------------------------|
| FILE NAME:<br>MSA-028-311_REV6            | UNLESS OTHERWISE SPECIFIED<br>DIMENSIONS ARE IN INCHES<br>DECIMALS DECIMALS ANGLES<br>.XX ±0.13 .XXX ±0.001 ±0.5° | <br>10001 Timothy Lane, Villa Park, CA 92661  |                            |
| MODEL NAME:<br>MSA-028-311                | BREAK SHARP EDGES<br>N/A  | MICROSEAL ASSEMBLY, SERIES 60<br>SURFACE MOUNT, SEMI PR3.1<br>COMPONENT 3 PORT, 1-1/8"W |                            |
| USED ON:<br>FLUID DELIVERY SYSTEMS        | DRAWN:<br>Michael Doyle<br>ENGINEERING:<br>Michael Doyle<br>QUALITY:  | DATE:<br>03-10-01   | SIZE<br>C                  |
| MATERIAL:<br>N/A                          | MANUFACTURING:  | SCALE:<br>4:1   | DRAWING NO.<br>MSA-028-311 |
| INTERPRET DRAWING PER ANSI Y 14.5M - 1982 |   |   | REV.<br>6                  |
|   |   | DO NOT SCALE DRAWING SHEET 1 OF 1   |                            |

4

3

2

1