

4

3

2

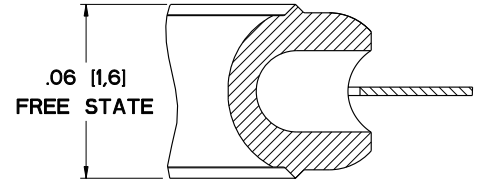
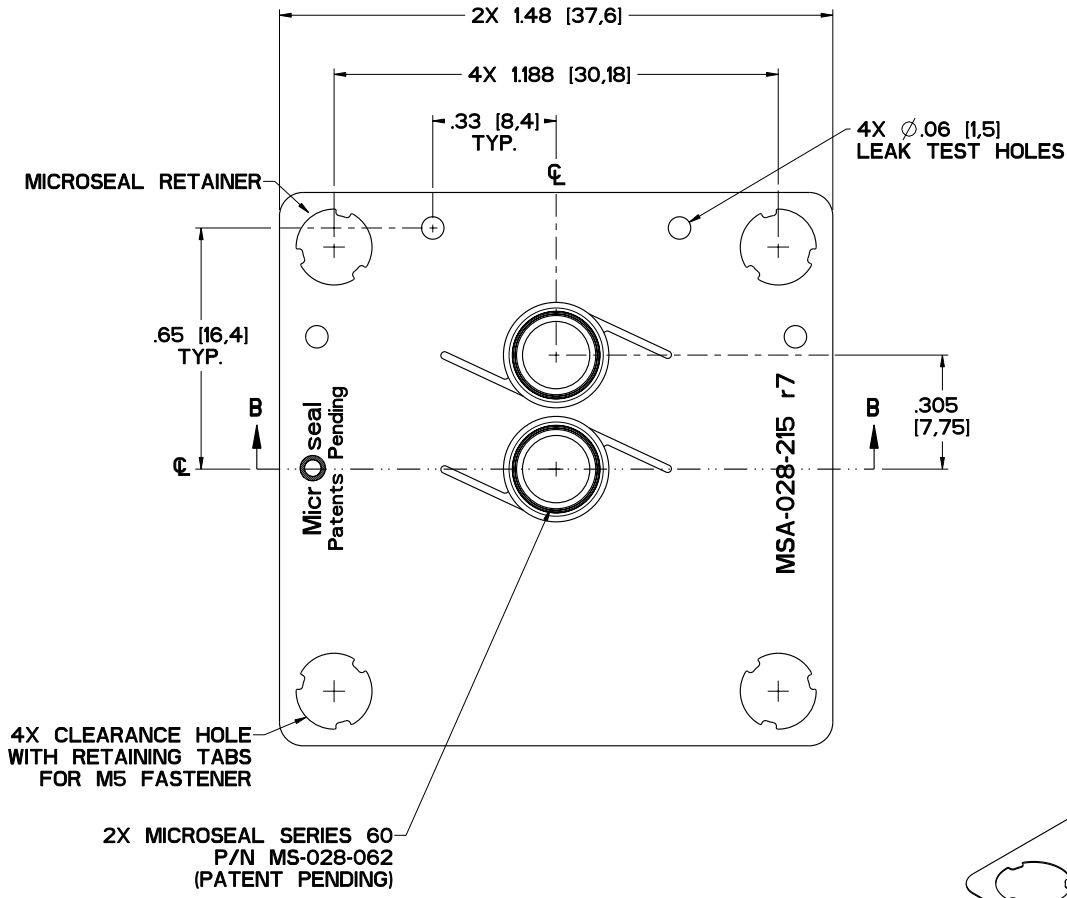
1

MICROFLEX TECHNOLOGIES PROPRIETARY INFORMATION
 THIS DRAWING IS THE EXCLUSIVE PROPERTY OF MICROFLEX TECHNOLOGIES AND EMBODIES A CONFIDENTIAL DESIGN. IT HAS BEEN FORWARDED TO YOU IN STRICT CONFIDENCE FOR A SPECIFIC PURPOSE AND AS A RECIPIENT YOU AGREE NOT TO USE, DISCLOSE, REPRODUCE OR COPY IT IN WHOLE OR IN PART WITHOUT THE EXPRESS WRITTEN CONSENT OF MICROFLEX TECHNOLOGIES AND TO IMMEDIATELY RETURN THE DRAWING UPON REQUEST.

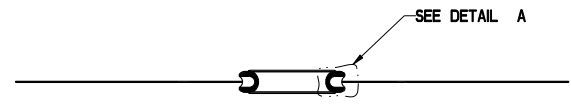
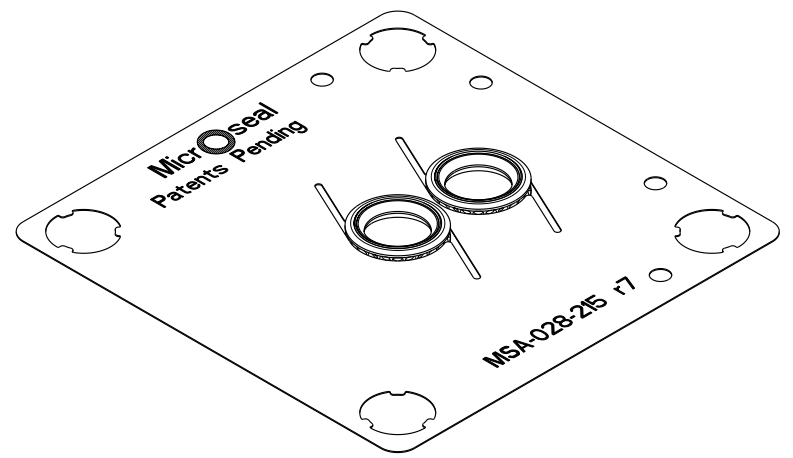
REVISIONS						
REV.	DESCRIPTION	EO#	DATE	ENG.	OLTY.	MFG.
7	UPDATE VIEW PER SEAL RETAINER ECO NUMBER	M01407	10-06-01	MD		

D
C
B
A

D
C
B
A



DETAIL A



SECTION B-B

NOTES: UNLESS OTHERWISE SPECIFIED.
 1. DUAL DIMENSIONING: INCH [MILLIMETER].
 2. PACKAGING: TRIPLE BAG.

FILE NAME: MSA-028-215_REV7	UNLESS OTHERWISE SPECIFIED DIMENSIONS ARE IN INCHES DECIMALS DECIMALS ANGLES .XX ±0.13 .XXX ±0.001 ±0.5°	Microflex Technologies 10001 Timothy Lane, Villa Park, CA 92681	
MODEL NAME: MSA-028-215	BREAK SHARP EDGES N/A	MICROSEAL ASSEMBLY, SERIES 60 SURFACE MOUNT, SEMI PR3.1 COMPONENT 2 PORT, 1-1/2"W	
USED ON: FLUID DELIVERY SYSTEMS	DRAWN: Michael Doyle ENGINEERING: Michael Doyle QUALITY:	DATE: 03-10-01	SIZE C
MATERIAL: N/A	MANUFACTURING:	SCALE 4:1	DRAWING NO. MSA-028-215
INTERPRET DRAWING PER ANSI Y 14.5M - 1982		REV. 7	SHEET 1 OF 1

4

3

2

1