

4

3

2

1

MICROFLEX TECHNOLOGIES PROPRIETARY INFORMATION
 THIS DRAWING IS THE EXCLUSIVE PROPERTY OF MICROFLEX TECHNOLOGIES AND EMBODIES A CONFIDENTIAL DESIGN. IT HAS BEEN FORWARDED TO YOU IN STRICT CONFIDENCE FOR A SPECIFIC PURPOSE AND AS A RECIPIENT YOU AGREE NOT TO USE, DISCLOSE, REPRODUCE OR COPY IT IN WHOLE OR IN PART WITHOUT THE EXPRESS WRITTEN CONSENT OF MICROFLEX TECHNOLOGIES AND TO IMMEDIATELY RETURN THE DRAWING UPON REQUEST.

REVISIONS						
REV.	DESCRIPTION	EO#	DATE	ENG.	OLTY.	MFG.
7	UPDATE VIEW PER SEAL RETAINER ECO NUMBER	M01407	10-06-01	MD		

D

D

C

C

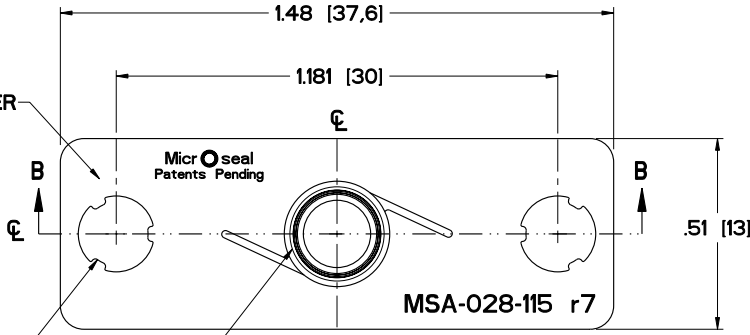
B

B

A

A

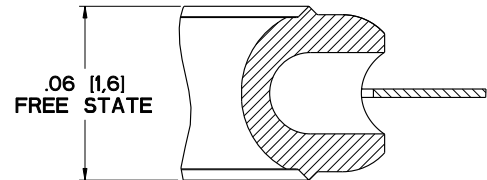
MICROSEAL RETAINER



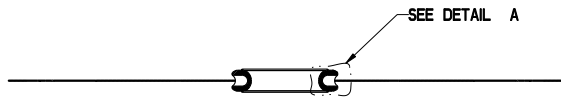
2X CLEARANCE HOLE WITH RETAINING TABS FOR M5 FASTENER

MICROSEAL SERIES 60
P/N MS-028-062
(PATENT PENDING)

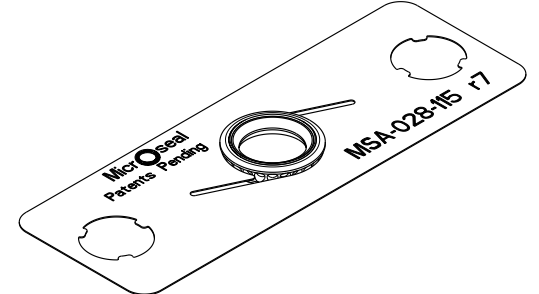
MSA-028-115 r7



DETAIL A



SECTION B-B



NOTES: UNLESS OTHERWISE SPECIFIED.

- 1. DUAL DIMENSIONING: INCH [MILLIMETER].
- 2. PACKAGING: TRIPLE BAG.

FILE NAME: MSA-028-115_REV7	UNLESS OTHERWISE SPECIFIED DIMENSIONS ARE IN INCHES	Microflex Technologies 10001 Timothy Lane, Villa Park, CA 92661	
MODEL NAME: MSA-028-115	DECIMALS DECIMALS ANGLES .XX ±0.13 .XXX ±0.001 ±0.5°	MICROSEAL ASSEMBLY, SERIES 60 SURFACE MOUNT, SEMI PR3.1 MFC / MFM, 1-1/2"W	
USED ON: FLUID DELIVERY SYSTEMS	BREAK SHARP EDGES N/A	SIZE C	SCALE 4:1
MATERIAL: N/A	QUALITY: N/A	DRAWING NO. MSA-028-115	REV. 7
INTERPRET DRAWING PER ANSI Y 14.5M - 1982	MANUFACTURING:	DO NOT SCALE DRAWING SHEET 1 OF 1	

4

3

2

1