

4

3

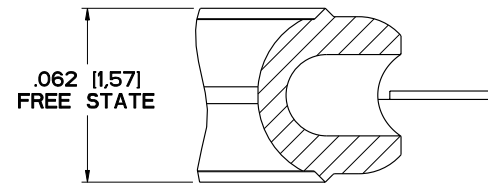
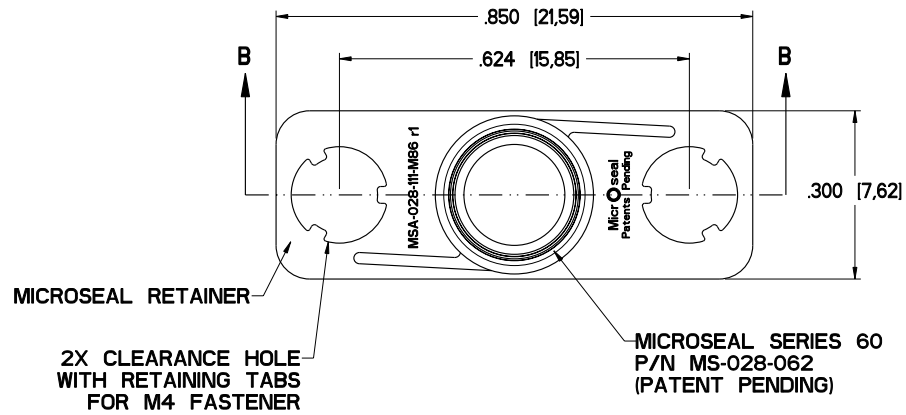
2

1

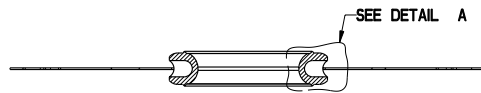
**MICROFLEX TECHNOLOGIES PROPRIETARY INFORMATION**

THIS DRAWING IS THE EXCLUSIVE PROPERTY OF MICROFLEX TECHNOLOGIES AND EMBODIES A CONFIDENTIAL DESIGN. IT HAS BEEN FORWARDED TO YOU IN STRICT CONFIDENCE FOR A SPECIFIC PURPOSE AND AS A RECIPIENT YOU AGREE NOT TO USE, DISCLOSE, REPRODUCE OR COPY IT IN WHOLE OR IN PART WITHOUT THE EXPRESS WRITTEN CONSENT OF MICROFLEX TECHNOLOGIES AND TO IMMEDIATELY RETURN THE DRAWING UPON REQUEST.

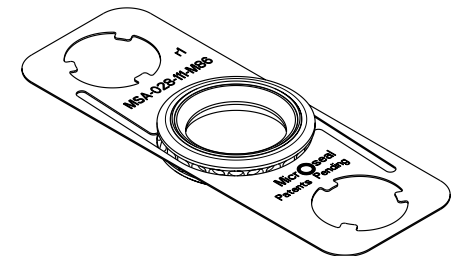
REVISIONS					
REV.	DESCRIPTION	EON	DATE	ENG.	MFG.
1	INITIAL RELEASE.	M04124	03-17-04	MD	MD



DETAIL A




SECTION B-B



**NOTES: UNLESS OTHERWISE SPECIFIED.**

- DUAL DIMENSIONING: INCH [MILLIMETER].
- PACKAGING: TRIPLE BAG.

FILE NAME: MSA-028-111-M86_REV1	UNLESS OTHERWISE SPECIFIED DIMENSIONS ARE IN INCHES	 <p>10001 Timothy Lane, Villa Park, CA 92861</p>				
MODEL NAME: MSA-028-111-M86	DECIMALS DECIMALS ANGLES .XX ±0.13 .XXX ±0.001 ±0.5°					
USED ON: FLUID DELIVERY SYSTEMS	BREAK SHARP EDGES N/A	<p>MICROSEAL ASSEMBLY, SERIES 60 SURFACE MOUNT, SEMI PR.1 MODULAR MANIFOLD, 1-1/8"W, 0.86"L</p>				
MATERIAL: N/A	QUALITY: Michael Doyle 03-17-04					
INTERPRET DRAWING PER ANSI Y 14.5M - 1982	MANUFACTURING: Michael Doyle 03-17-04	<table border="1"> <tr> <td>SIZE <b>C</b></td> <td>SCALE 6:1</td> <td>DRAWING NO. MSA-028-111-M86</td> <td>REV. 1</td> </tr> </table>	SIZE <b>C</b>	SCALE 6:1	DRAWING NO. MSA-028-111-M86	REV. 1
SIZE <b>C</b>	SCALE 6:1	DRAWING NO. MSA-028-111-M86	REV. 1			
DO NOT SCALE DRAWING		SHEET 1 OF 1				

4

3

2

1